



Quick-Step® Livyn expansion profile



LIVYN

Product specifications

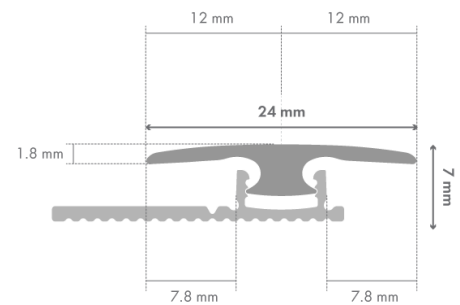
Quick-Step® Livyn expansion profile QSVEXPSILV

Aluminium, silver tone

Dimensions 1 PC: 200 x 2,4 x 0,7 cm

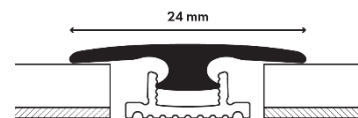
Contents 1 PC: 1 aluminium expansion profile, 1 PVC subprofile.

Order quantity: per 1 PC in shrink-wrapping.



Product description

- This very slim and elegant profile can be used to cover the expansion joint between 2 floors of the same height e.g. at a door entrance or in a large room/corridor where an expansion joint is required.
- Can be used with **clicked** Livyn floors.
- Wear-resistant quality aluminium, silver tone.
- Installation with the supplied subprofile. Glue the sub-profile to the subfloor, then press the expansion profile into the subprofile.



Tip: use a hammer and e.g. the Quick-Step® tapping block as a help to press the expansion profile in the subprofile.